

AT-E2CMKII

Battery Adaptor for CANON C300 MKII



Instruction Manual

Thank you for purchasing the AT-E2CMKII. AT-E2CMKII is specifically designed for interfacing ENDURA batteries to CANON's EOS C300 Mark II camera. Prior to using the AT-E2CMKII, IDX strongly recommends reading this Instruction Manual on how to best use the AT-E2CMKII. We recommend keeping this manual for your reference. If you have any additional questions, please contact your local IDX office listed at the end of this manual.

Specifications

- DC output : DC16.8~12V / Max10A (Max 120W)
 - D-Tap output voltage : Battery through voltage (D-Tap1, D-Tap2)
 - Maximum load : 50W(per D-Tap)
 - Ambient temperature : 32 ~ 104°F(0 °C ~ 40°C)
 - DC cable length : 300mm / 12inches
 - Dimensions / Weight : 82.5(W) × 142(H) × 12(D)mm / 210g
: 3.25(W) × 5.59(H) × 0.47(D)inches / 0.46lbs
 - Accessories : Installation manual x 1, M3 (8mm)screw x 4
- * Please keep in mind that the total discharge must be within battery specification.

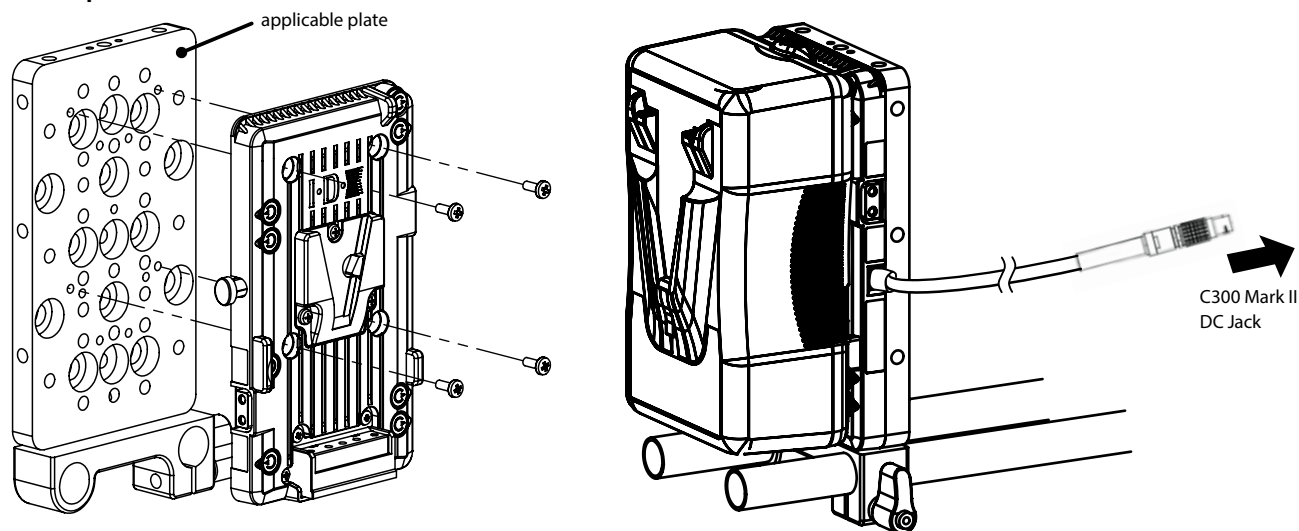
EOS C Series (As of September, 2015)

- C300 Mark II

Installation

- ① Install the AT-E2CMKII to an applicable plate by using the supplied screws. Ensure that all four screws are tightly fastened.
- ② Attach the ENDURA battery then connect the DC cable to camera.

<For example>



General Notes and Safety

- Please remove battery after use.
- Do not apply strong tension to the DC cable when plugging and unplugging
- Do not short circuit between plus(+) and minus(-) pins.
- Do not attempt to open or modify this unit. All work should be carried out by IDX authorized service personnel only.
- Make sure that the adaptor and battery are tightly fastened to the equipment, otherwise it may cause damage or even injury
- Stop using immediately in case of abnormal smell, visible leak, color change or physical deformity during operation.
- When inspection or repair is needed, please contact your local IDX office listed at the end of this manual.